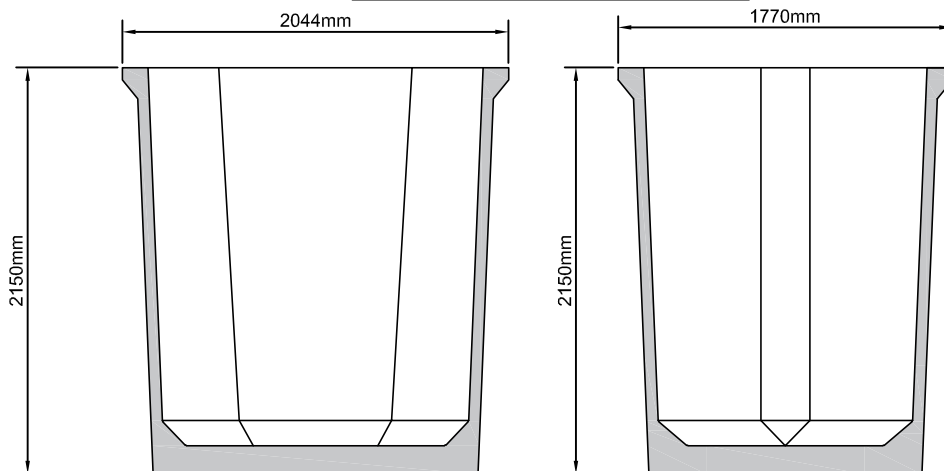
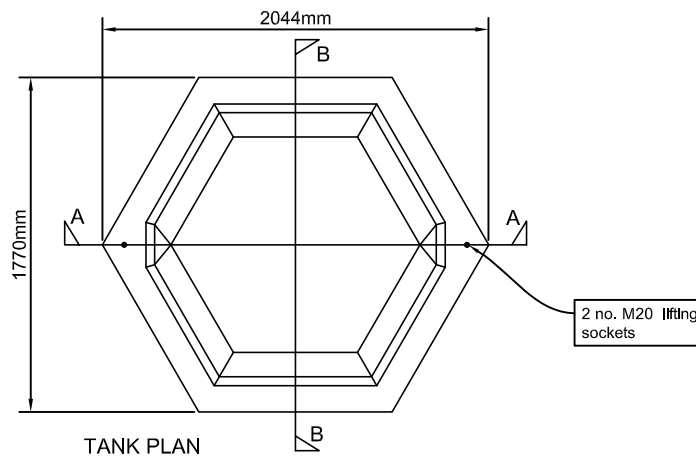


LID PLAN option 1: 600mm opening

LID PLAN option 2: 1,200 X 750mm opening

LID PLAN option 3: 750 X 600mm opening



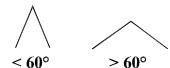
TANK SECTION through A-A

TANK SECTION through B-B

**MOLLOY**  
ENVIRONMENTAL SYSTEMS  
Clara Rd., Tullamore, Co. Offaly  
T: 057 9326000 E: Info@mollyprecast.com  
F: 057 9326060 W: www.mollyprecast.com



Tank lifting limitations:  
Max chain angle <math>< 60^\circ</math>



Damage caused by incorrect lifting is the responsibility of others

**Notes:**

- Observe all safety regulations in regard to excavation and lifting requirements. Never leave opening uncovered or unattended at any time
- Specify any specific requirements prior to ordering. All civil works by customer
- Do not scale from this drawing. Only for illustration purposes

**Title:** H+ tank & lids drawing

**Drq. no.:** PT-H+-01-211118

**Capacity:** 3,500 litres

**Weight:** Tank - 2,165 kg

Lid, option 1 LD: 595 kg, HD: 1,150 kg

Lid, option 2 HD: 1050 kg

Lid, option 3 HD: 840 kg

**Date:** 21/11/2018

**Drawn by:** SF **Checked by:** KR