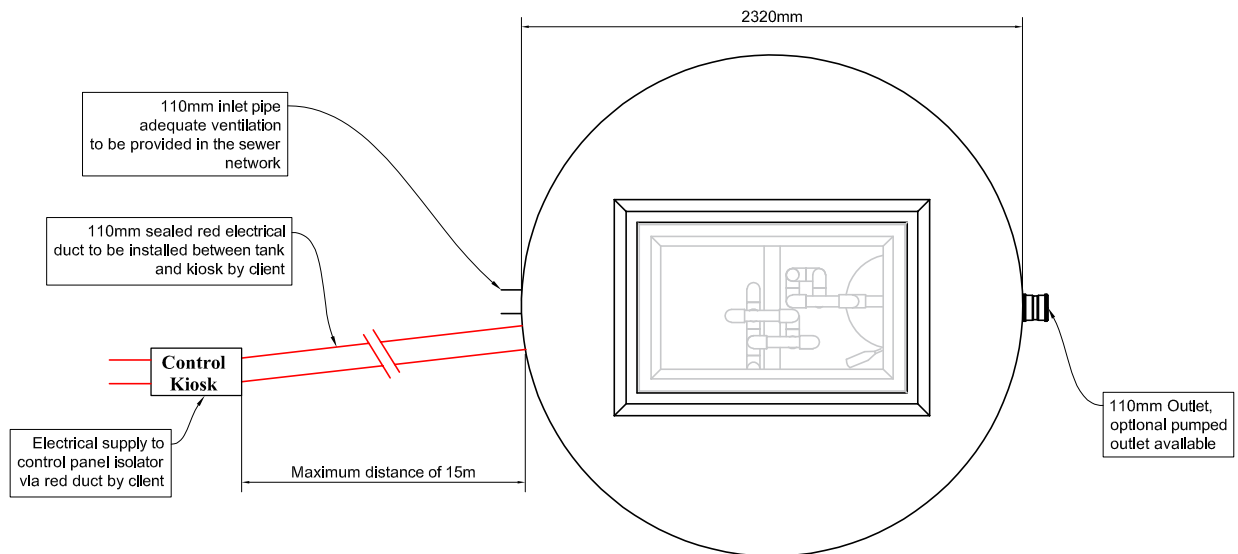


SECTION

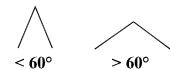


PLAN

MOLLOY
ENVIRONMENTAL SYSTEMS
Clara Rd., Tullamore, Co. Offaly
T: 057 9326000 E: info@molloyprecast.com
F: 057 9326060 W: www.molloyprecast.com



Tank lifting limitations:
Max chain angle <math>< 60^\circ</math>



Damage caused by incorrect lifting is the responsibility of others

Notes:

- Observe all safety regulations in regard to excavation and lifting requirements. Never leave opening uncovered or unattended at any time
- Specify any specific requirements prior to ordering. All civil works by customer
- Do not scale from this drawing. Only for illustration purposes

Title: 8PE Chieftain SBR sewage treatment system with gravity discharge

Drg. no.: Chieftain SBR_8PE_Gravity_070420

Date: 07/04/2020

Drawn by: SF

CHIEFTAIN[®]
SBR